


## Steering Wheel (57.61.01)

### Removal

1. Remove the driver air bag module. For additional information, refer to [Driver Air Bag Module \(76.74.01\)](#) (Section 501-20)

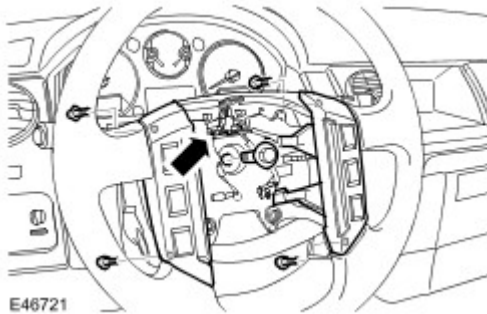
2.  **CAUTION:** Make sure the wheels are in the straight-ahead position. Failure to follow this instruction may result in damage to the components.

**NOTE :**

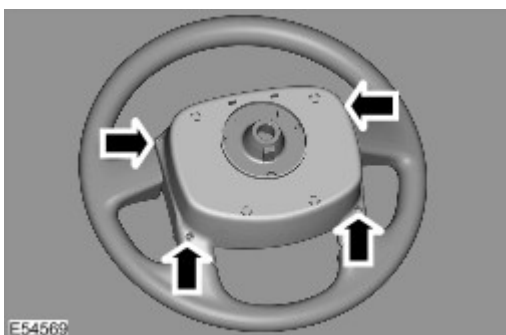
Note the steering wheel to column alignment marks.

Remove the steering wheel.

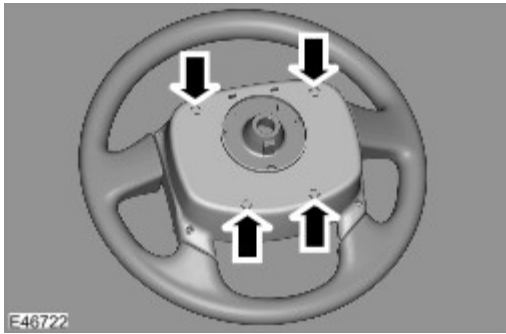
- ▶ Restrain the steering wheel and remove the bolt.
- ▶ Disconnect the steering wheel switch electrical connector.



3. **NOTE :**  
Do not disassemble further if the component is removed for access only.  
Remove the steering wheel switch.
  - ▶ Remove the 2 Torx screws.
  - ▶ Disconnect the electrical connector.
  - ▶ Repeat the above procedure for the other side.




4. Remove the steering wheel cover.
  - ▶ Release the 4 clips.



5. Remove the wiring harness.

## Installation

1. Attach the wiring harness.
2. Install the steering wheel cover.
  - ▶ Secure with the clips.
3. Install the steering wheel switch.
  - ▶ Connect the electrical connector.
  - ▶ Tighten the Torx screws.
  - ▶ Repeat the above procedure for the other side.

4.  **CAUTION: Correct clockspring alignment can be found by viewing a yellow marker through the window situated on the clockspring face. If the marker is not visible, carefully turn the clockspring. If the turning force increases before the marker is visible, reverse the direction to avoid component damage.**

Carefully install the steering wheel, engage the clockspring and align to the column.

- ▶ Tighten the bolt to 63 Nm (46 lb.ft).

5. Install the driver air bag module. For additional information, refer to [Driver Air Bag Module \(76.74.01\)](#) (Section 501-20)