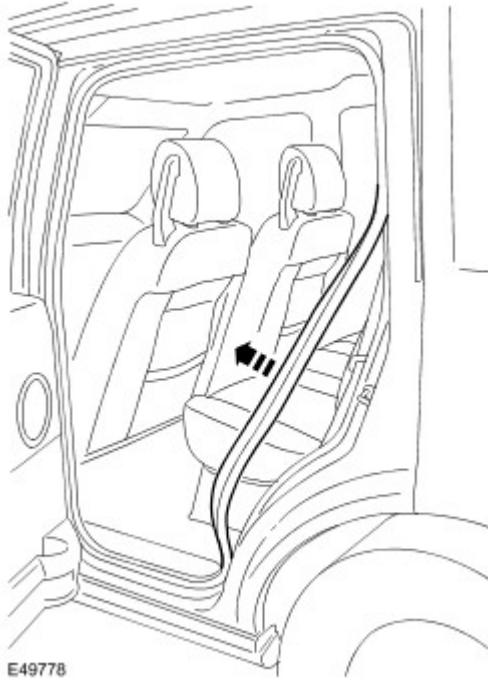


Published : Apr 28, 2004

C-Pillar Lower Trim Panel (76.13.34)

Removal

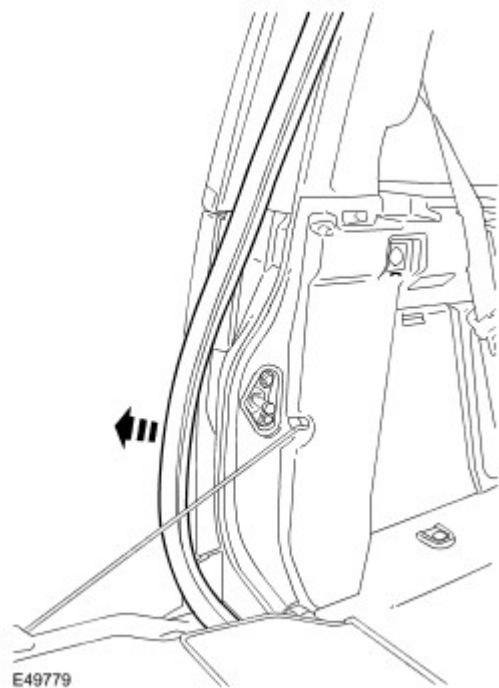
- 1 . Fold down the rear seat backrest.
- 2 . Release the door aperture weatherstrip.



- 3 . Release the safety belt anchor.
▶ Remove and discard the bolt.

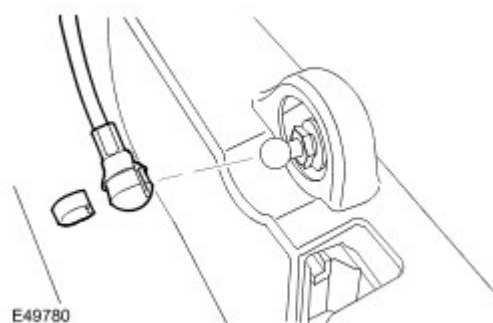


- 4 . Release the tailgate aperture seal.



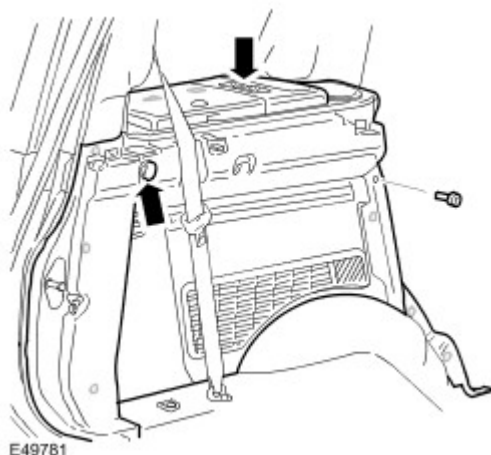
5 . Remove the support spigot from the tailgate.

- ▶ Release the clip.



6 . Remove the C-pillar lower trim panel.

- ▶ Remove the Torx screw.
- ▶ Release the 8 clips.
- ▶ Disconnect the 2 electrical connectors.



E49781

7 . NOTE :

Do not disassemble further if the component is removed for access only.

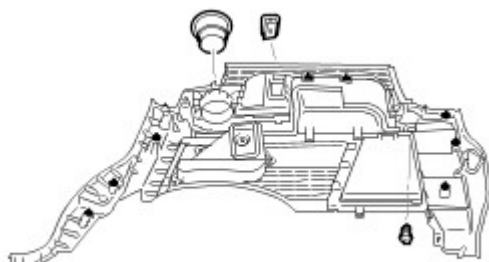
Remove the stowage tray.

➤ Release the cover.

8 . Remove the audio control switch.

➤ Release the 2 clips.

9 . Remove the accessory socket.



E49782

Installation

1 . Install the accessory socket.

2 . Install the audio control switch.

➤ Secure the clips.

3 . Install the stowage tray.

➤ Install the cover.


4 . Install the C-pillar lower trim panel.

➤ Install the clips.

➤ Tighten the Torx screw to 8 Nm (6 lb.ft).


➤ Connect the electrical connector.

5 . Install the support spigot to the tailgate.

 Install the clip.

6 . Install the tailgate aperture seal.

7 . Install the safety belt anchor.

 Tighten the Torx bolt to 45 Nm (33 lb.ft).

8 . Install the door aperture weatherstrip.

9 . Return the seat backrest to the upright position.