

Control Components - Ambient Air Temperature Sensor

Removal and Installation

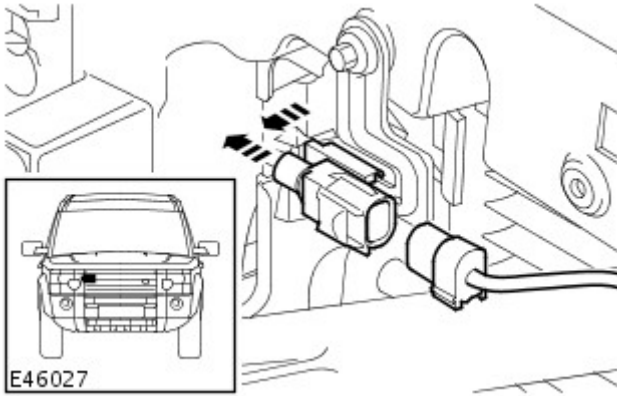
Removal

1. Remove the radiator grille.

For additional information, refer to: [Radiator Grille](#) (501-08 Exterior Trim and Ornamentation, Removal and Installation).

2. Remove the ambient air temperature sensor.

- Disconnect the electrical connector.
- Release the clip.



Installation

1. To install, reverse the removal procedure.