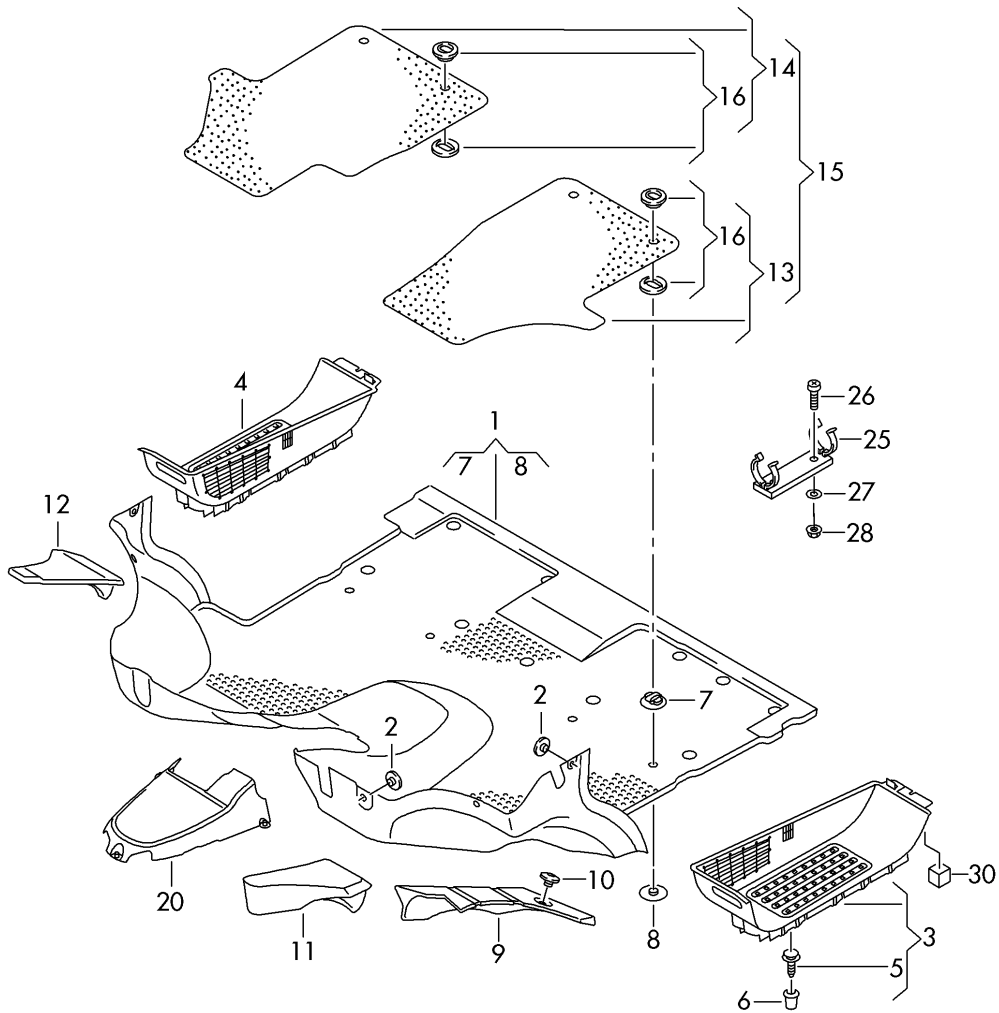
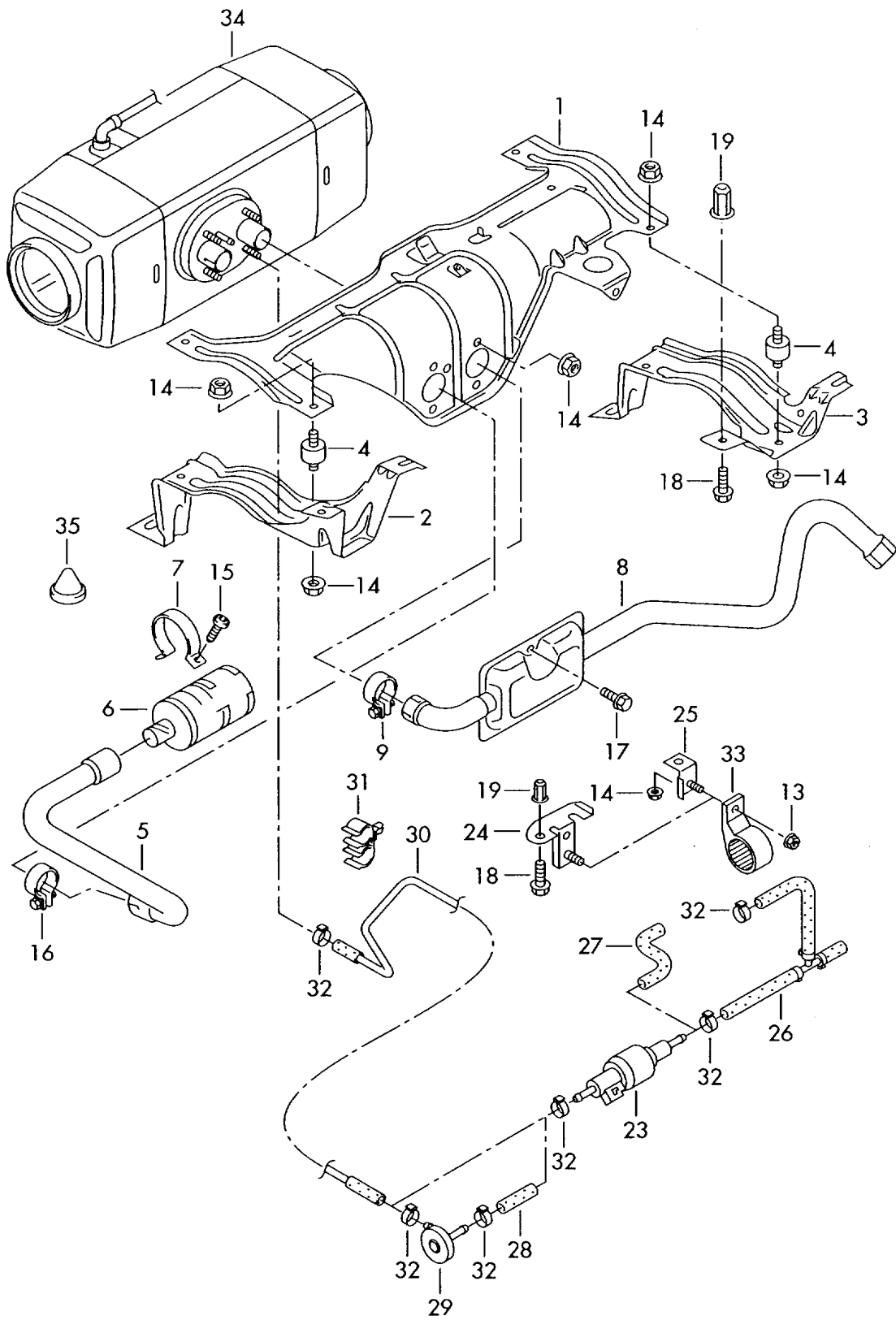


86300. FLOOR COVERING; STEP INSERT; FOR CAB



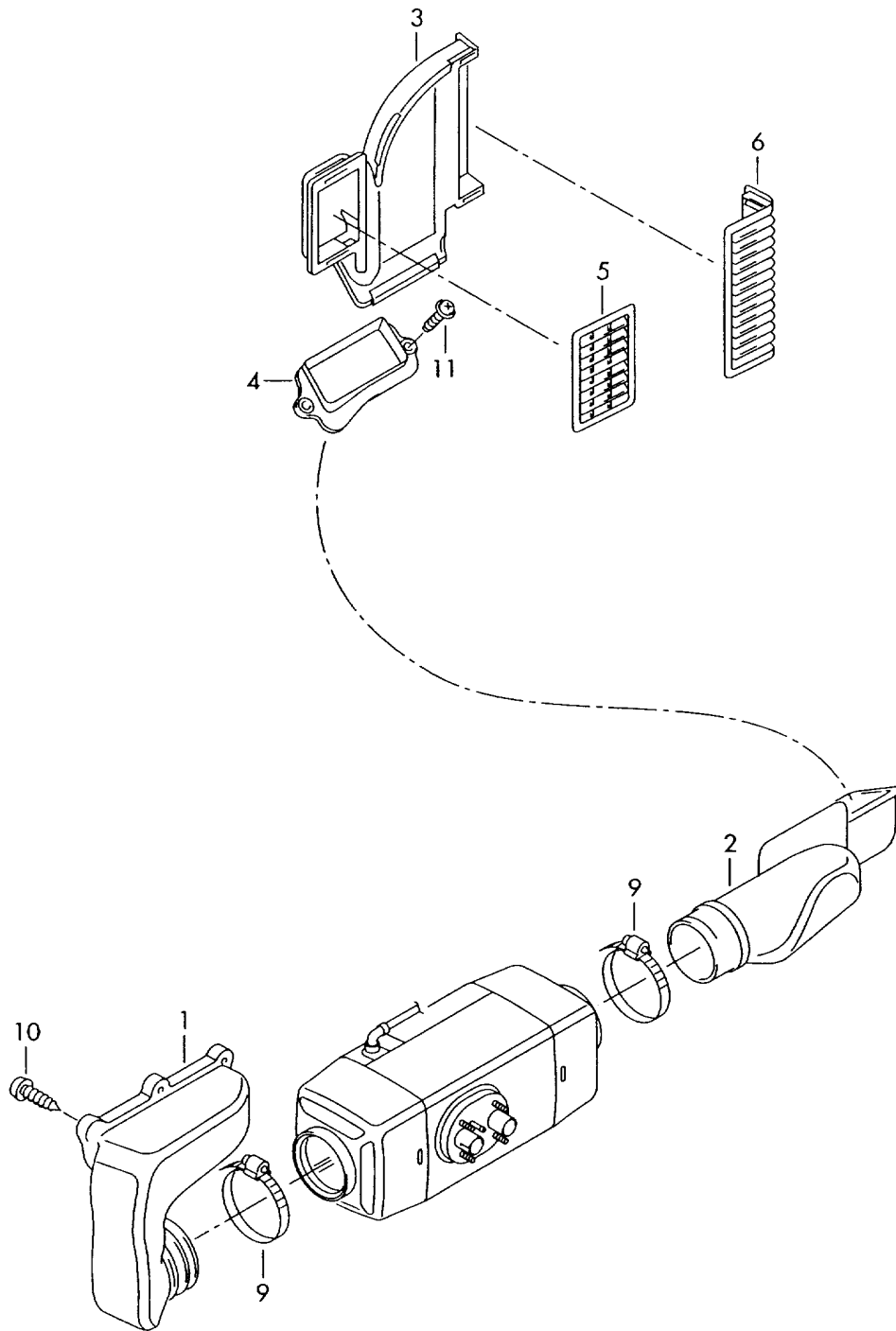
#	Number	Description	Qty.
4	7H5863736N 71N	step insert; for vehicles with auxiliary; heater; right; plastic; PR-2P1+5AD+; 5DK+7VA,7VF,; 7VG,7VM anthracite; -ZH	1

81948. AUXILIARY HEATER; FASTENERS; EXHAUST SILENCER; FUEL LINE



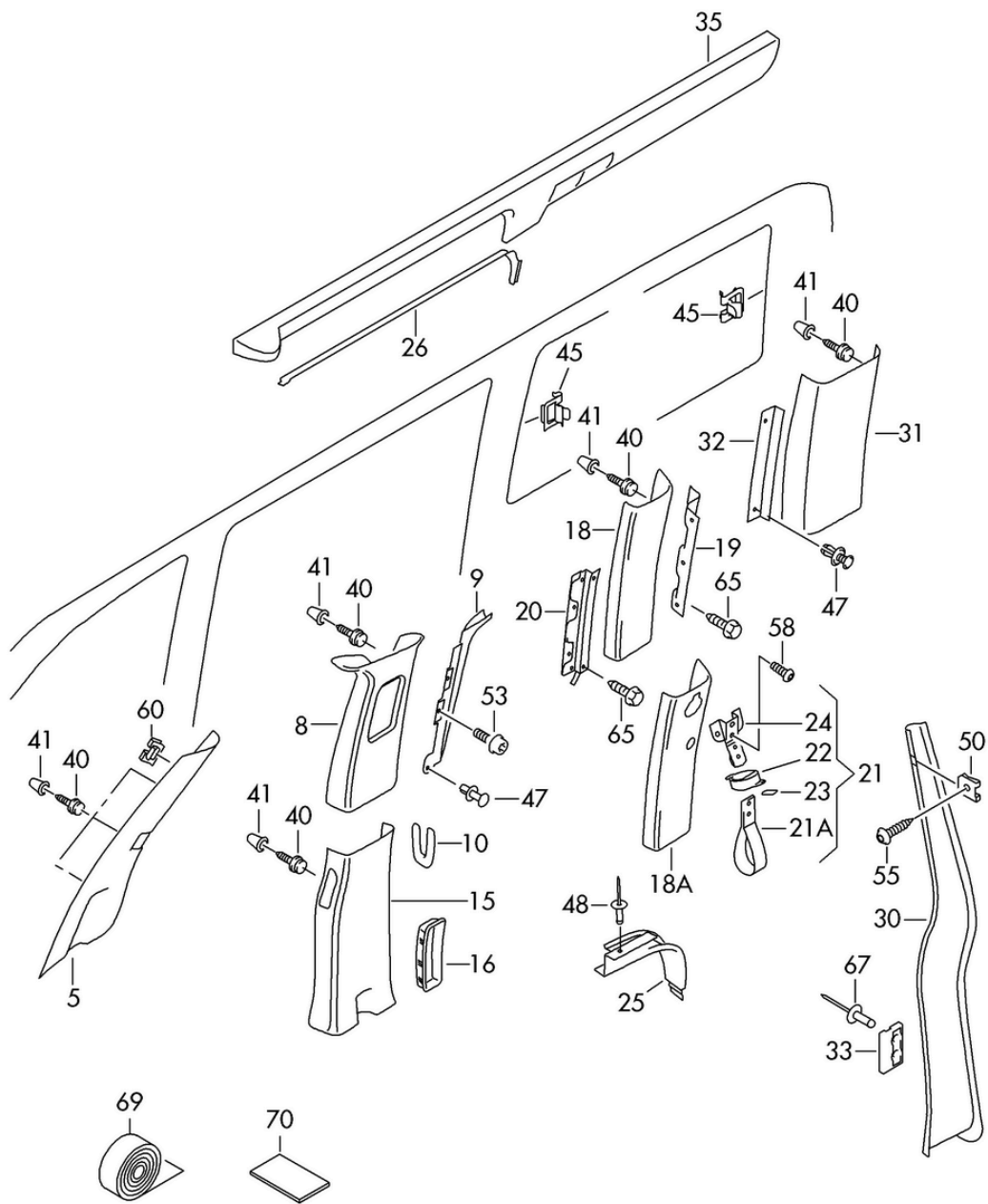
#	Number	Description	Qty.
1	7E0819379	bracket	1
2	7H0819549	bracket; front	1
3	7H0819735	bracket; rear	1
4	7H0819965A	bonded rubber bush	4
14	N 90175205	hexagon collar nut; M6	6
18	N 90999503	hex collared bolt; M6X25	6
19	N 90817302	riveted cap nut; M6/0,5-3	6

81950. AUXILIARY HEATER; AIR GUIDE



#	Number	Description	Qty.
1	7E0819219	intake duct; step	1
2	7E0819381B	air guide channel	1
3	7H5819655A	air guide; b-pillar; shuttle; MULTIVAN; CAMPER	1
4	7H0819475	frame; air guide	1
5	7H0819209A	warm air vent; b-pillar; front	1
6	7H5819383A	warm air vent; b-pillar; rear; MULTIVAN; SHUTTLE; CAMPER	1
10	N 90879402	hexagon socket head panel bolt; 5X16-Q	6
11	N 90739703	panel screw; 5X22	2

86770. PILLAR TRIM; ROOF FRAME TRIM; INDIVIDUAL PARTS:



15	7E7867292B 71N	b-pillar trim; for vehicles with auxiliary; heater; right lower; lhd; PR-7VA,7VF,; 7VG,7VM Anthracite	1
----	--------------------------------	--	---