

Parking Brake Shoe and Lining Adjustment (70.40.11)

NOTE:

This procedure must be carried out if, new parking brake shoes are fitted, new rear brake discs are fitted or if the vehicle has been mud wading (not water) for more than 50 miles.

NOTE:

Vehicles requiring adjustment as part of the maintenance check sheet should only follow steps 1 to 14, parking brake shoe bedding-in procedure is not required in this instance

1. Check the parking brake for correct operation.

2.



CAUTION: When the vehicle is in the 'mounting position' a red flashing light will appear on the instrument cluster. This indicates that the parking brake actuator is in the 'mounting position'. It does not indicate a vehicle fault.

Using the Land Rover approved diagnostic system, drive the parking brake to the 'mounting position'.

3.



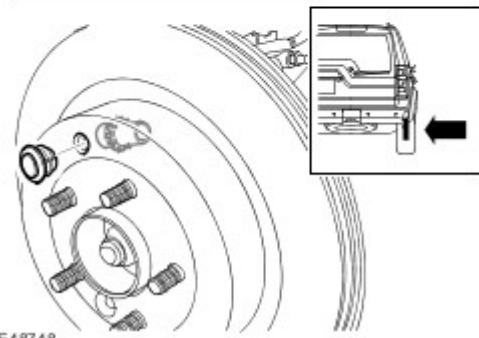
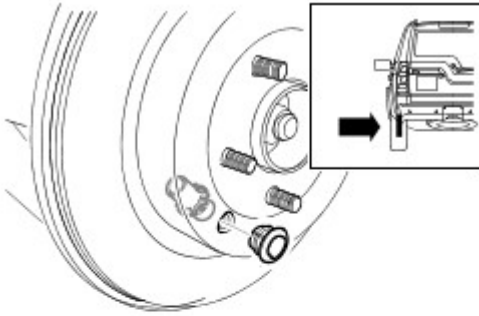
WARNING: Do not work on or under a vehicle supported only by a jack. Always support the vehicle on safety stands.

Raise and support the vehicle.

4. Remove the wheels and tires.

5. Locate the parking brake shoe adjuster.

- Remove the access plug.
- Rotate the brake disc.



E48748

6.

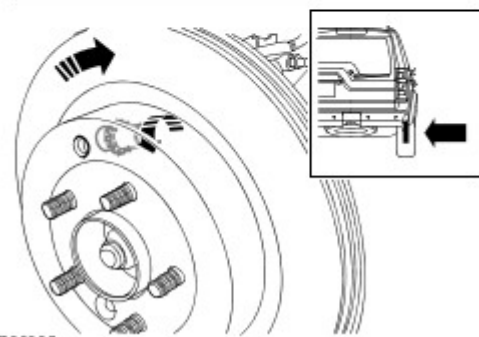
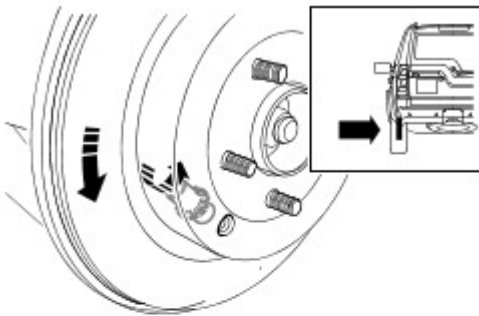


CAUTION: The direction of rotation must always be forward.



CAUTION: If the effort required is less than 40 Nm (30 lb.ft) tighten the adjuster by one click at a time.

Using a flat bladed screwdriver and a torque wrench on the halfshaft stake nut, rotate the brake shoe adjuster to extend it until the torque to turn the brake disc is 40 Nm (30 lb.ft).



E66865

7.



CAUTION: The direction of rotation must always be forward.



CAUTION: The effort required to rotate the disc must be less than 90 Nm (66 lb.ft).

NOTE:

The effort required to rotate the brake disc from the halfshaft stake nut must be between 40 Nm (30 lb.ft) and 90 Nm (66 lb.ft).

Using a torque wrench on the halfshaft stake nut, make sure that the brake disc will still rotate forwards before 90 Nm (66 lb.ft) of torque is reached.

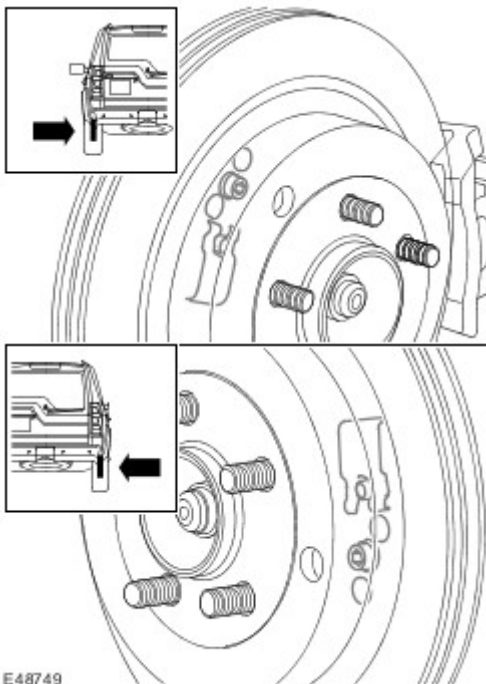
8.



CAUTION: The parking brake adjuster must be rotated back EXACTLY 8 clicks. Failure to follow this instruction may result in damage to the parking brake system.

Rotate the adjuster back 8 clicks.

9. Loosen the wedge adjuster Allen screw half a turn.



10. Tap the brake disc lightly with a soft faced mallet, around the parking brake shoe location within the brake disc.

11. Tighten the wedge adjuster Allen screw to 6 Nm (5 lb.ft).

12. Install the access plug.

13. Repeat the above procedure for the other side.

14. Take the vehicle out of the 'mounting position' by operating the parking brake twice.

15. Carry out the parking brake shoe bedding-in procedure.

[Parking Brake Shoes Bedding-In \(70.40.12\)](#)



If the parking brake shoes or the brake discs have been removed for access to other components then DO NOT carry out this procedure.