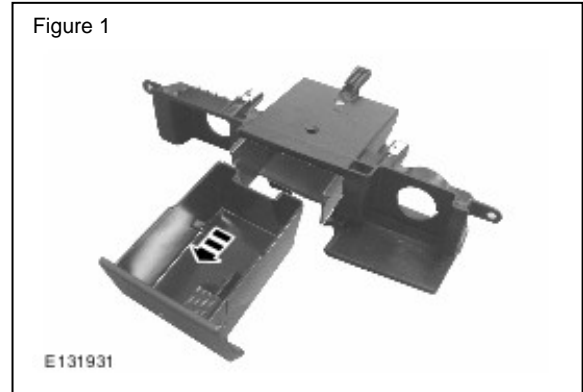


REPAIR PROCEDURE

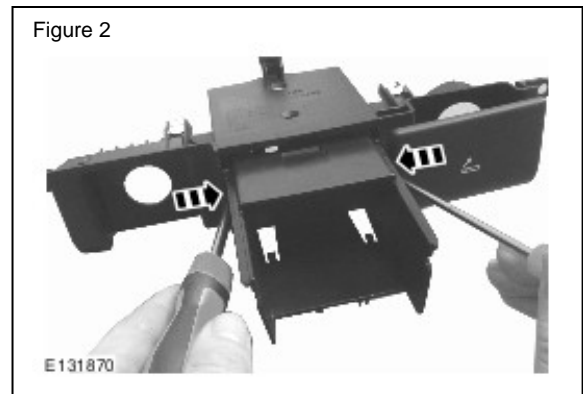
REPLACE THE ASHTRAY CARRIER

△ **NOTE: Complete ashtray shown removed for clarity.**

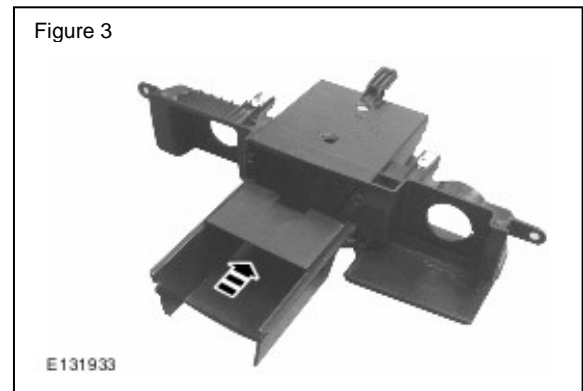
1. Remove the ashtray from the ashtray carrier. (Figure 1)



2. Using suitable tools, gently press against the ashtray carrier fixing clips and remove the ashtray carrier. (Figure 2)



3. Install the new ashtray carrier (**LR5022570**). (Figure 3)



4. Install the original ashtray. (Figure 4)

5. Verify ashtray operation.

