

Fuel Filter Element (192502)

Removal



WARNING : Do not smoke or carry lighted tobacco or open flame of any type when working on or near any fuel related components. Highly flammable vapors are always present and may ignite. Failure to follow these instructions may result in personal injury.



WARNING : This procedure involves fuel handling. Be prepared for fuel spillage at all times and always observe fuel handling precautions. Failure to follow these instructions may result in personal injury.



WARNING : Do not carry or operate cellular phones when working on or near any fuel related components. Highly flammable vapors are always present and may ignite. Failure to follow these instructions may result in personal injury.



WARNING : The spilling of fuel is unavoidable during this operation. Ensure that all necessary precautions are taken to prevent fire and explosion.



WARNING : If fuel contacts the eyes, flush the eyes with cold water or eyewash solution and seek immediate medical attention.



WARNING : If taken internally, do not induce vomiting, seek immediate medical attention. Failure to follow these instructions may result in personal injury.



WARNING : Wash hands thoroughly after fuel handling, as prolonged contact may cause irritation. Should irritation develop, seek medical attention.



CAUTION : Diesel fuel injection equipment is manufactured to very precise tolerances and fine clearances. It is therefore essential that absolute cleanliness is observed when working with these components. Always install blanking plugs to any open orifices or lines. Failure to follow this instruction may result in foreign matter ingress to the fuel injection system.



CAUTION : Make sure the workshop area in which the vehicle is being worked on is as clean and as dust free as possible. Foreign matter from work on clutches, brakes or from machining or welding operations can contaminate the fuel system and may result in later malfunction.



CAUTION : Before disconnecting or removing components, ensure the area around the joint faces and connections are clean. Plug open connections to prevent contamination.



CAUTION : Make sure the fuel lines are connected to the correct fuel line connector on the fuel filter. Failure to follow these instructions may result in damage to the engine or fuel injection system.

NOTE :

Before disconnecting the battery, make sure all text and cautions in the battery disconnect section are

observed.

- 1 . Disconnect the battery ground cable.
For additional information, refer to : Battery, Mounting and Cables, 414-01.

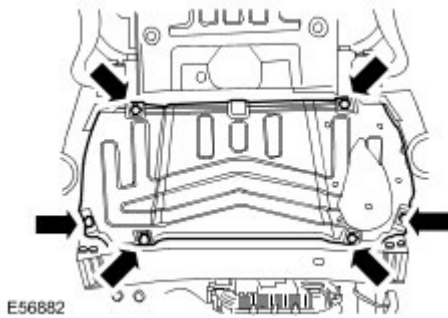
2 .



WARNING : Do not work on or under a vehicle supported only by a jack. Always support the vehicle on safety stands.

Raise and support the vehicle.

- 3 . Remove the transmission undershield.
 - ▶ Remove the six retaining bolts.



4 . **NOTE :**

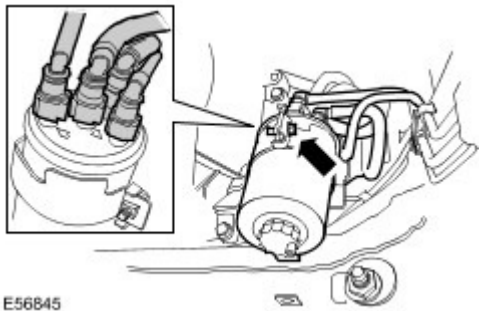
Note the fitted position of the fuel filter in the retaining bracket.

NOTE :

Note the fitted position of the fuel lines to the fuel filter connections.

Remove the fuel filter.

- ▶ Position a container to collect spillage.
- ▶ Disconnect the four fuel lines.
- ▶ Remove the LH retaining bolt.



Installation

1 . **NOTE :**

Note the fitted position of the fuel lines to the fuel filter connections.

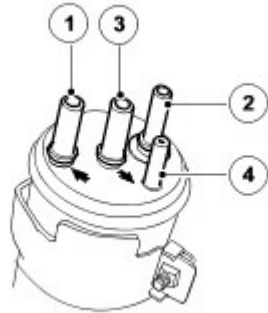
Connect the 4 fuel lines.

- ▶ Number 1: Yellow connector (fuel supply from tank)
- ▶ Number 2: White connector (fuel cooler return)

- ▶ Number 3: Large blue connector (fuel supply to HP fuel pump)
- ▶ Number 4: Small blue connector (fuel tank vent)

2 . Install the fuel filter.

- ▶ Align the fuel filter to the retaining bracket.
- ▶ Install the bolt and tighten to 10 Nm (7 lb.ft).
- ▶ Remove the container.



E82086

3 . Install the transmission undershield.

- ▶ Install the six bolts and tighten to 10 Nm (7 lb.ft).

4 . Connect the battery ground cable.

For additional information, refer to : Battery, Mounting and Cables, 414-01.

5 . Bleed the fuel system.

For additional information, refer to