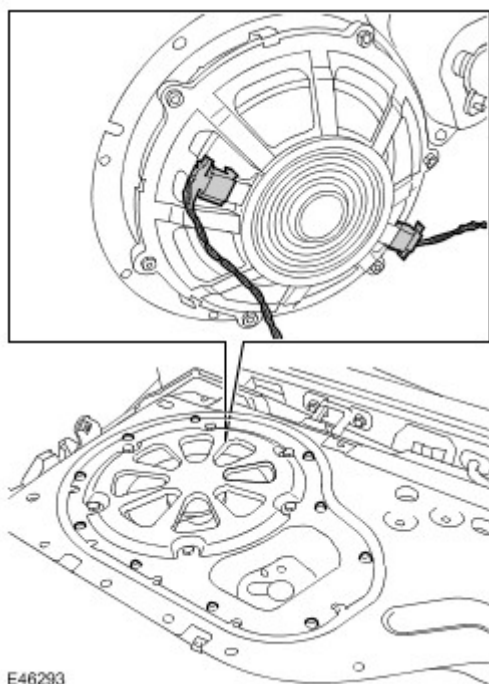


Tailgate Speaker (86.50.47)

Removal

- 1 . Remove the tailgate trim panel.
For additional information, refer to : Interior Trim and Ornamentation, 501-05.
- 2 . Remove the tailgate speaker assembly.
 - ▶ Remove the 10 Torx bolts.
 - ▶ Disconnect the 2 electrical connectors.



- 3 . **NOTE :**
Do not disassemble further if the component is removed for access only.

Remove the tailgate speaker.

- ▶ Remove the 6 bolts.





Installation

- 1 . Install the tailgate speaker.

 Tighten the bolts to 10 Nm (7 lb.ft).

2 . Install the tailgate speaker assembly.

 Connect the electrical connectors.

 Tighten the Torx bolts to 10 Nm (7 lb.ft).

3 . Install the tailgate trim panel.

For additional information, refer to : Interior Trim and Ornamentation, 501-05.