


Fender Moulding (76.43.54)

Removal

- 1 . Remove the headlamp assembly.
For additional information, refer to [Headlamp Assembly \(86.40.49\)](#)

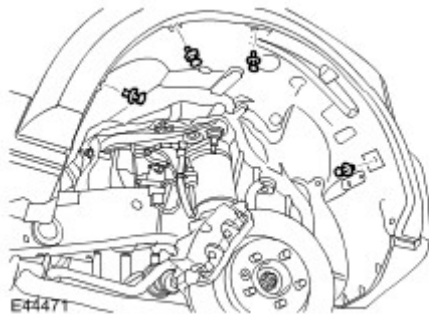
- 2 .  **WARNING: Do not work on or under a vehicle supported only by a jack. Always support the vehicle on safety stands.**



Raise and support the vehicle.

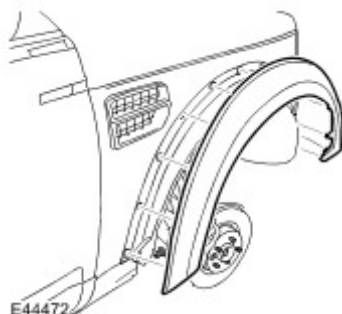
- 3 . Remove the mud flap.
 Remove the 3 retaining screws.



- 4 . Remove the 4 retainers.



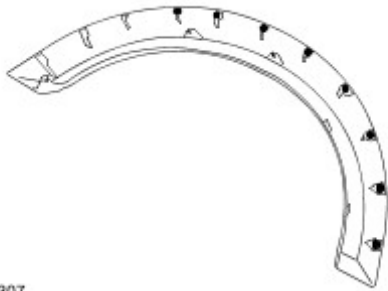
- 5 . Remove the fender moulding.
 Remove the 2 screws.
 Carefully release the 10 clips.



6 . NOTE:

Do not disassemble further if the component is removed for access only.

Remove the clips from the moulding.



E53307

Installation

- 1 . To install, reverse the removal procedure.
- 2 . Install the headlamp assembly.
For additional information, refer to [Headlamp Assembly \(86.40.49\)](#)