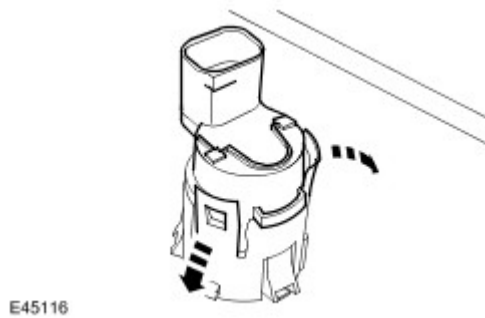


Front Inner Parking Aid Sensor (86.54.21)

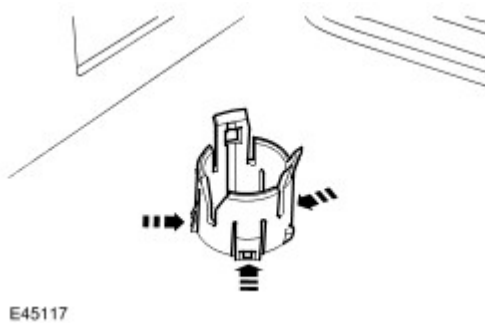
Removal

1. Remove the front bumper cover. For additional information, refer to [Front Bumper \(76.22.49\)](#) (Section 501-19)

2. Remove the parking aid sensor.
▶ Release from the 2 clips.



3. Remove the parking aid sensor trim panel.
▶ Release the 3 clips.



Installation

1. Install the parking aid sensor trim panel.
2. Install the parking aid sensor.
3. Install the front bumper cover. For additional information, refer to [Front Bumper \(76.22.49\)](#) (Section 501-19)