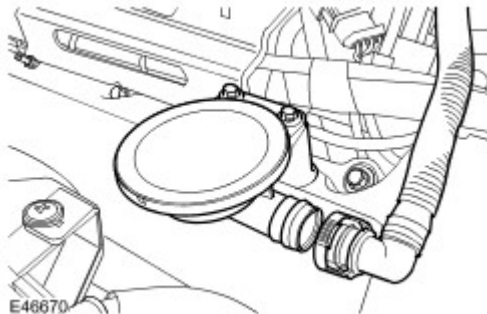




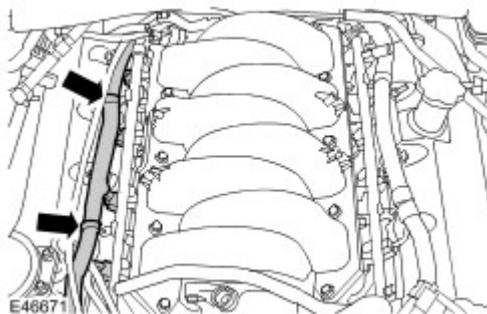
## Valve Cover RH (12.29.44)

### Removal

1. Disconnect the battery ground cable. For additional information, refer to [Specifications](#) (Section 414-00)
2. Remove the air intake resonator. For additional information, refer to (Section 303-12)
3. Remove the air cleaner assembly. For additional information, refer to [Air Cleaner \(19.10.01\)](#) (Section 303-12)
4. Remove the ignition coil-on-plug. For additional information, refer to [Ignition Coil-On-Plug \(18.20.44\)](#) (Section 303-07)
5. Remove the remaining ignition coil-on-plugs.
6. Disconnect the positive crankcase ventilation (PCV) line.



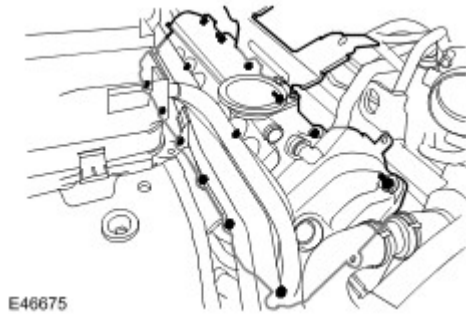
7. Release the engine wiring harness from the retaining bracket.



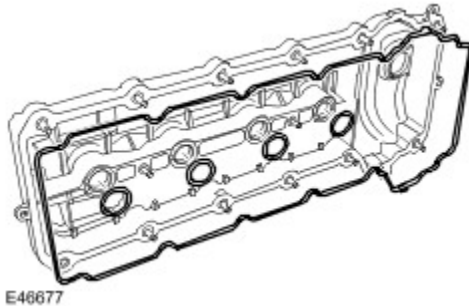
8. Disconnect the variable camshaft timing ( VCT) oil solenoid electrical connector.



9. **NOTE :**  
Note the fitted position of the retaining bolts prior to removal.  
Remove the valve cover assembly.
- ▶ Remove the 14 valve cover retaining bolts.
  - ▶ Remove the engine cover bracket.



10. Remove and discard the valve cover gasket.
11. Remove the valve cover plug aperture seals.



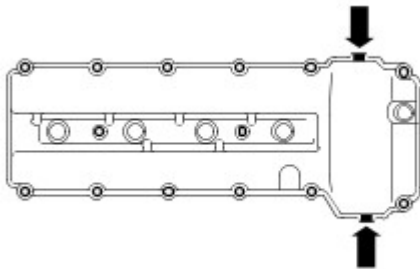
12. **NOTE :**  
Do not disassemble further if the component is removed for access only.  
Remove the PCV valve.
- ▶ Remove the 2 bolts.
  - ▶ Remove and discard the O-ring seal.



E46678

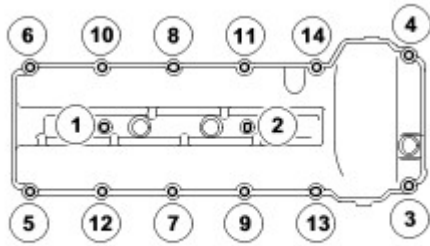
## Installation

1. Install the PCV valve.
  - ▶ Clean the component mating faces.
  - ▶ Install a new O-ring seal.
  - ▶ Tighten the bolts to 6 Nm (4 lb.ft).
2. Install new valve cover plug aperture seals
3. Install a new valve cover gasket.
4. **NOTE :**  
 Apply two beads of silicone gasket sealant as shown on the illustration. The application of the sealant must be 3mm diameter 12mm long. Install the valve cover immediately after applying the sealant. The cover should be fitted directly to the head without smearing the sealant or the seals.  
 Install the valve cover.
  - ▶ Clean the component mating faces.



E49922

5. Install the valve cover retaining bolts.
  - ▶ Install valve cover retaining bolts to their position previously noted.
  - ▶ Tighten the bolts to 12 Nm (9 lb.ft).
  - ▶ Complete the tightening sequence as illustrated.



E46679

6. Connect the VCT oil solenoid electrical connector.
7. Install the ignition coil-on-plugs. For additional information, refer to [Ignition Coil-On-Plug \(18.20.44\)](#) (Section 303-07)
8. Install the remaining ignition coil-on-plugs.
9. Attach the engine wiring harness to the retaining bracket.
10. Connect the PCV line.
11. Install the air cleaner assembly. For additional information, refer to [Air Cleaner \(19.10.01\)](#) (Section 303-12)
12. Install the air intake resonator. For additional information, refer to (Section 303-12)