

Parking Aid - Parking Aid Module

Removal and Installation

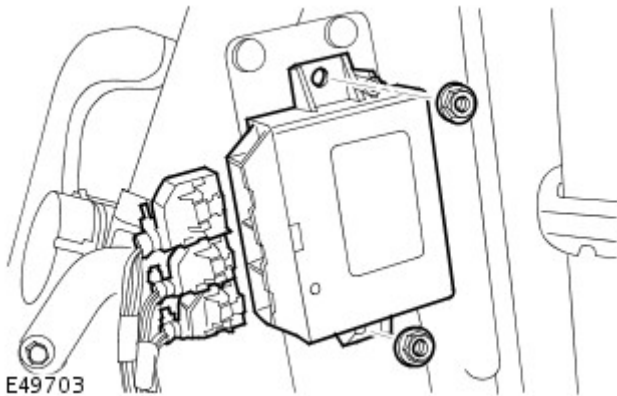
Removal

1. Remove the C-pillar lower trim panel.

For additional information, refer to: [C-Pillar Lower Trim Panel](#) (501-05 Interior Trim and Ornamentation, Removal and Installation).

2. Remove the parking aid module.

- Disconnect the 3 electrical connectors.
- Remove the 2 nuts.



Installation

1. Install the parking aid module.

- Tighten the nuts to 5 Nm (4 lb.ft).
- Connect the electrical connectors.

2. Install the C-pillar lower trim panel.

For additional information, refer to: [C-Pillar Lower Trim Panel](#) (501-05 Interior Trim and Ornamentation, Removal and Installation).