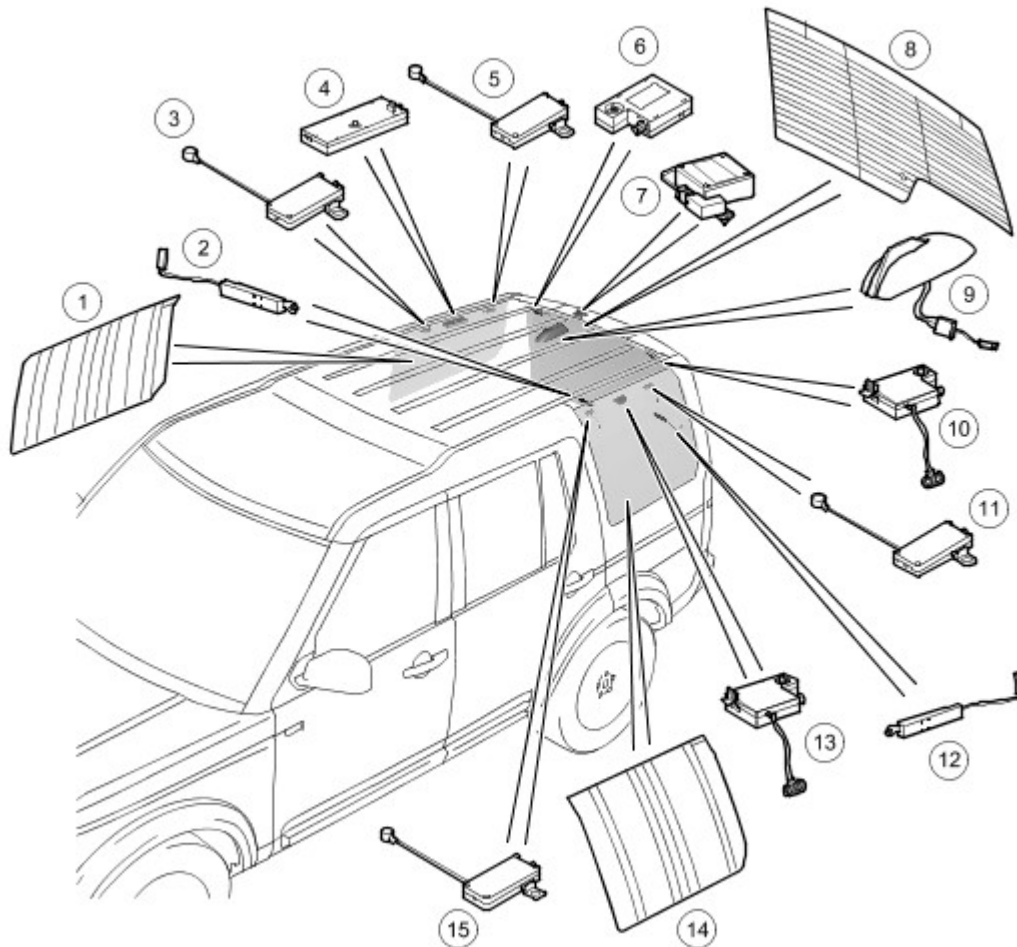


Antenna

Antenna Amplifier Component Location



E48082

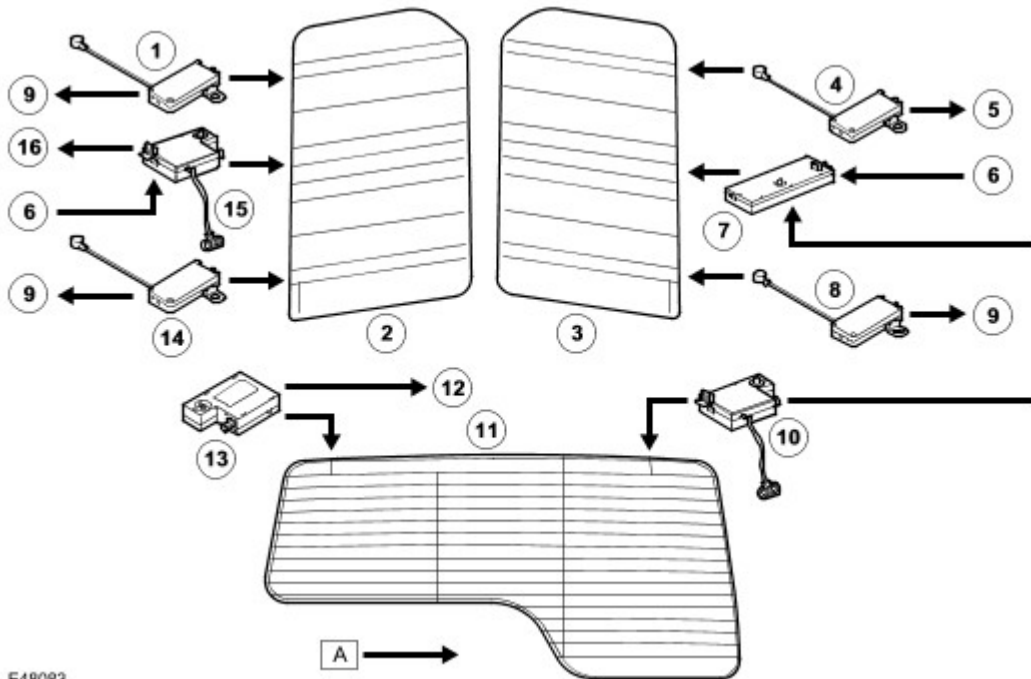
Item	Part Number	Description
1		FM Antenna
2		Suppressor
3		TV antenna amplifier
4		FM diversity antenna amplifier
5		TV antenna amplifier
6	-	FM antenna amplifier
7	-	GPS antenna
8	-	Rear screen mounted antennas
9	-	Telephone and SDARS antennas
10	-	VICS/ TMC antenna amplifier
11	-	TV antenna amplifier

12	-	Suppressor
13	-	VICS antenna amplifier
14	-	Side screen television antennas
15	-	TV antenna amplifier

Screen Antenna Layout

NOTE :

A=Hardwired



E48083

Item	Part Number	Description
1		TV antenna amplifier
2		LH Side screen antennas
3		RH Side screen antennas
4	-	TV antenna amplifier
5	-	TV tuner module
6	-	Integrated Head Unit (IHU)
7	-	AM/FM diversity antenna amplifier
8	-	TV antenna amplifier
9	-	TV tune module
10	-	FM Diversity tuning amplifier
11	-	Rear screen antennas
12	-	VICS/TMC tuner
13	-	VICS/TMC antenna amplifier
14	-	TV antenna amplifier
15	-	VICS antenna amplifier
16	-	VICS tuner

The antenna systems fitted to the vehicle comprise:

- AM (glass mounted)
- FM (glass mounted)
- FM diversity (glass mounted, where fitted)
- TV (glass mounted, where fitted)
- Multiband telephone antenna (roof mounted, where fitted)
- GPS antenna (rear spoiler mounted, where fitted)
- SDARS (roof mounted NAS only)
- VICS antenna and beacon antenna (Japan only where fitted)

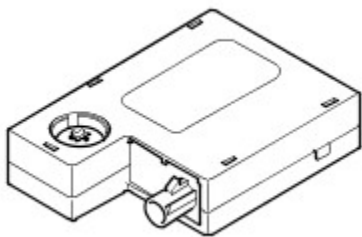
FM ANTENNAS

FM Antenna Amplifier



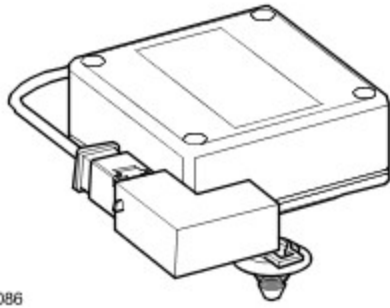
The AM/FM antennas are located in the side and rear window. ON vehicles with the low line audio system the AM/FM antenna is located in the RH rear side screen. On vehicles with a high line audio systems the system will be equipped with FM diversity tuning. This system ensures that the strongest of two signals is used by the radio system to ensure the best possible FM reception. The standard AM/FM antenna is screen mounted in the RH rear side window and is connected to an antenna amplifier located above the screen. The diversity system uses the same side window antenna and amplifier but also uses a rear heated screen element antenna and an FM antenna amplifier mounted at the top of the rear screen in the tail gate.

TMC ANTENNA AMPLIFIER



The Traffic Message Channel (TMC) signals are received through the normal radio signals via the RDS network. The signals are routed separately from the radio signals via a separate antenna amplifier located on the RH rear side window. For additional information, refer to [Navigation System](#) (419-07 Navigation System)

GPS ANTENNA

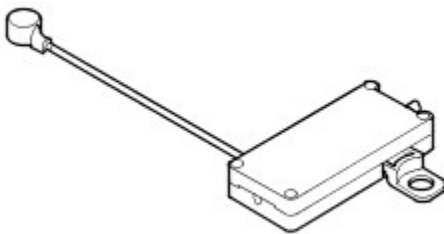


E48086

The GPS antenna is located in the RH side of the upper tailgate mounted spoiler. The GPS antenna is connected to the navigation computer by a coaxial cable. For additional information, refer to [Navigation System](#) (419-07 Navigation System)

TV ANTENNA

TV Antenna Amplifier



E48088

Where a television system is specified there are four TV antenna elements two in each of the rear side windows. Each element has an antenna amplifier which is connected to the TV tuner module by a coaxial cable. For additional information, refer to [Video System](#) (415-07 Video System)

MULTIBAND TELEPHONE ANTENNA

Multiband Telephone Antenna



E48085

The multiband telephone antenna is located in the roof mounted pod, which is located in the centre of the roof at the rear of the vehicle and is connected directly to the Telephone Control Module (TCM) via a single coaxial cable. For additional information, refer to [Cellular Phone](#) (419-08 Cellular Phone)

SATELLITE DIGITAL AUDIO RADIO SYSTEM (SDARS) ANTENNA (NAS ONLY)

SDARS antenna



E48085

The SDARS antenna is located in the roof mounted pod, which is located in the centre of the roof at the rear of the vehicle. The SDARS antenna has two connections to the SDARS tuner, one for satellite transmissions the other for terrestrial transmissions from repeater stations.

The antenna comprises two antenna elements:

- A printed dipole antenna for receiving satellite signals
- A printed monopole antenna for receiving terrestrial signals

The two antennas allow the system to receive SDARS transmissions in built up areas where signals from satellites would normally be blocked. For additional information, refer to [Audio System](#) (415-01 Audio Unit)

VICS ANTENNAS (Japan only)

VICS Beacon Antenna



E48091

The VICS control module uses the rear RH side window antenna to receive VICS information. The Control module also uses an infra red beacon antenna located in the middle on top of the instrument panel adjacent to the sunlight sensor. For additional information, refer to [Navigation System](#) (419-07 Navigation System)