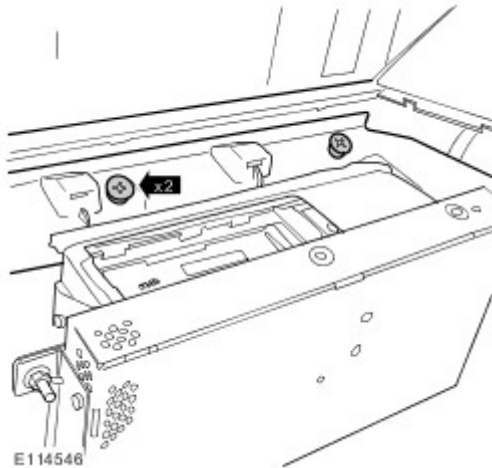


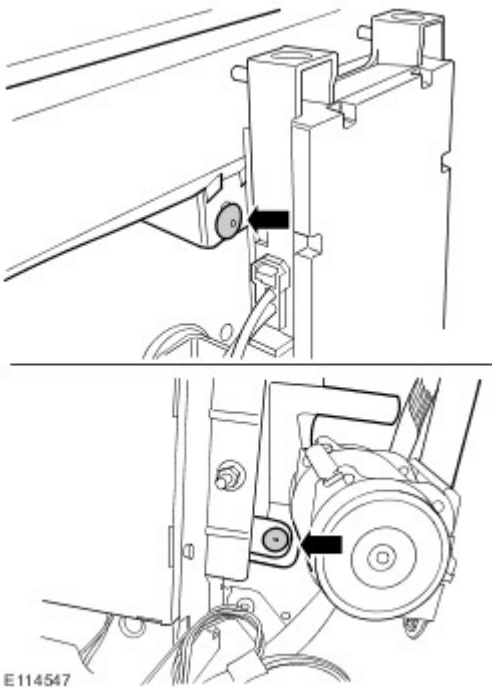
Digital Versatile Disc (DVD) Player

Removal

1. Remove the RH rear quarter trim panel.
For additional information, refer to [Loadspace Trim Panel RH \(76.19.22\)](#)
2. Release the rear quarter trim panel mounting bracket.
▶ Remove the 2 screws.



3. Remove the rear quarter trim panel mounting bracket.
▶ Release the 2 clips.

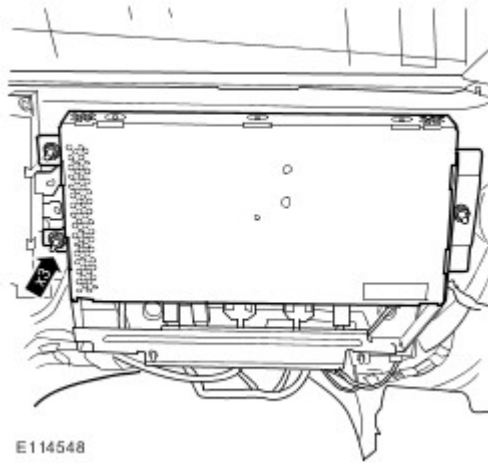


4.  **CAUTION:** Make sure that the fiber optic cables are not bent to a radius of less than 25 mm.

Release the rear seat entertainment module.

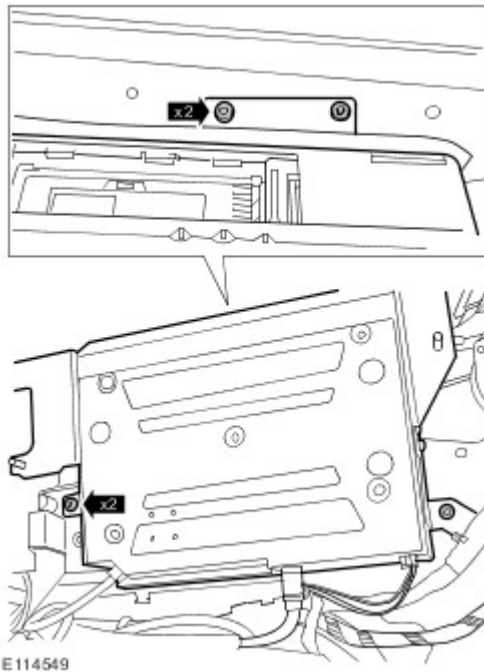
➤ Remove the 3 nuts. TORQUE: 10 Nm

➤ Position aside.



5 . Release the DVD player from the body.

➤ Remove the 4 Torx bolts.



6 .



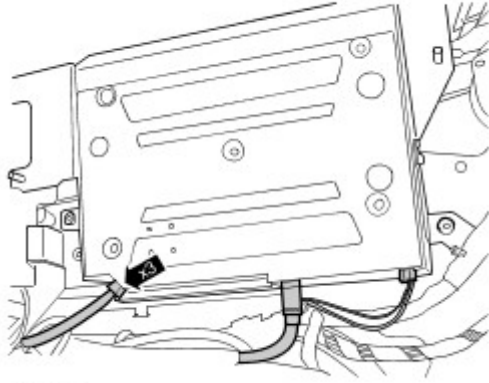
CAUTION: Make sure that the fiber optic cables are not bent to a radius of less than 25 mm.



CAUTION: Make sure that the optical connectors are clean and free of foreign material.

Remove the DVD player.

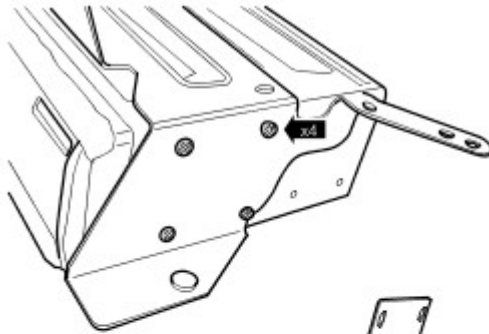
➤ Disconnect the 3 electrical connectors.



E114550

7 . Remove the DVD player mounting bracket.

➤ Remove the 8 screws.



E114551

Installation

1 . To install, reverse the removal procedure.